

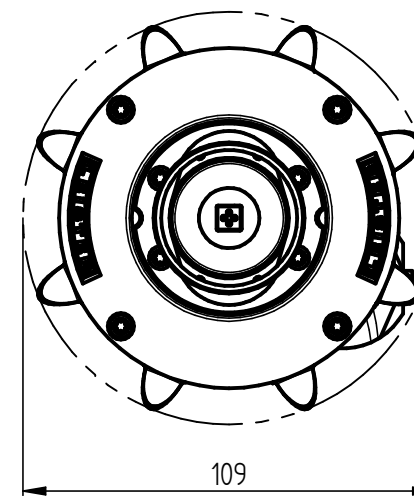
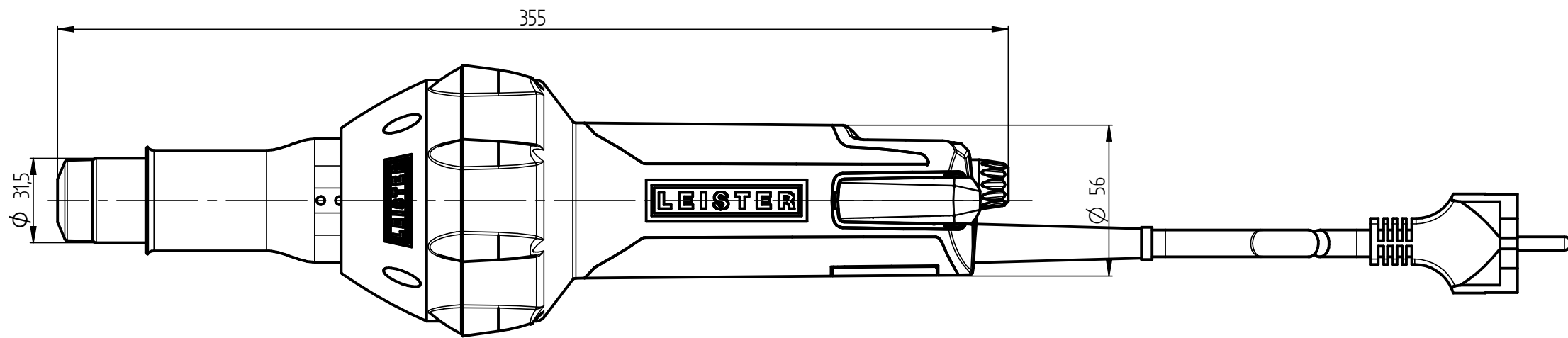
A

B

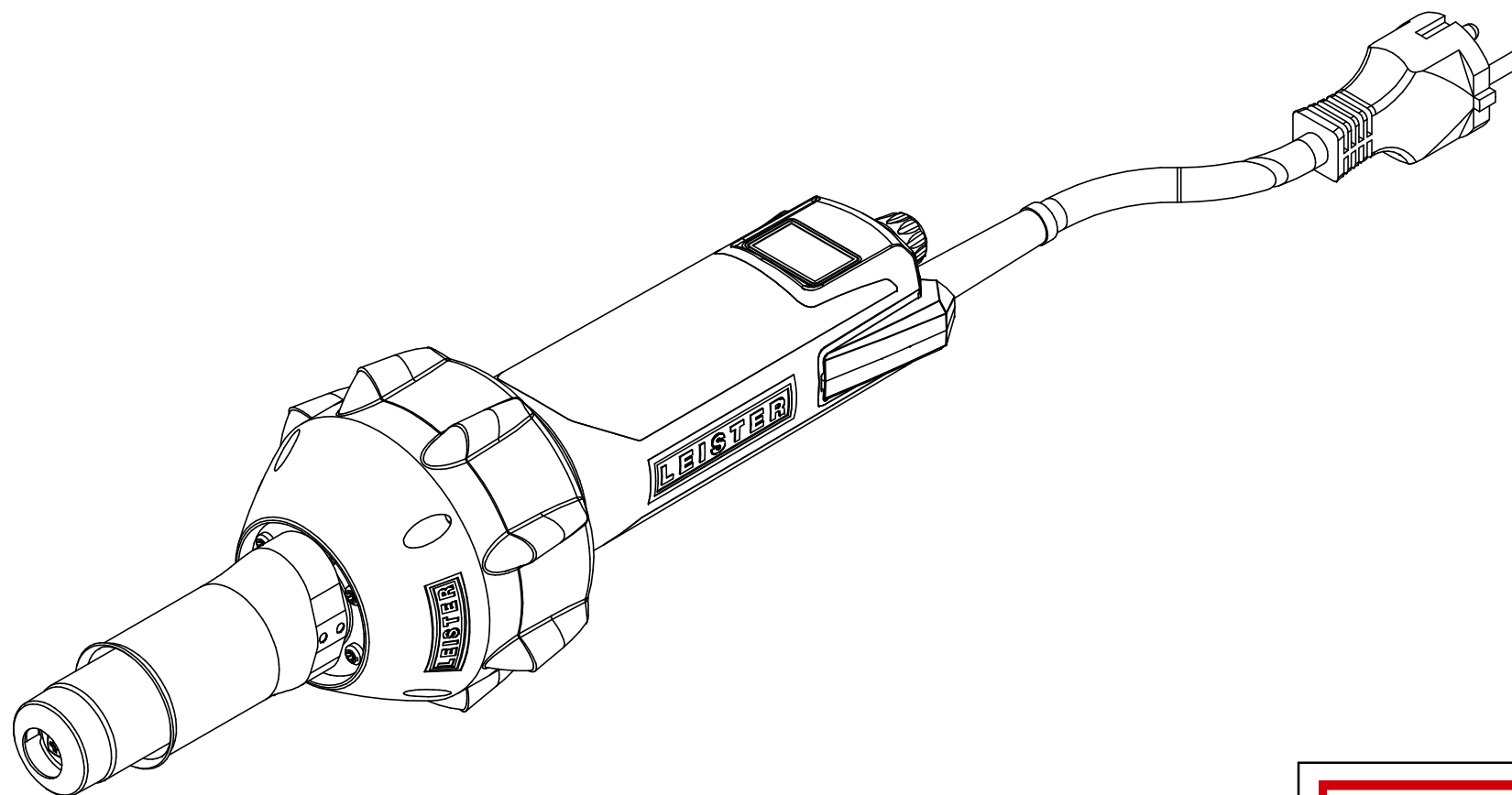
C

D


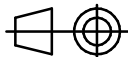
1



2



3

 LEISTER TECHNOLOGIES AG		Triac AT		Sheet
		020.383		1
Format	Scale		Note: The information contained in this document is subject to change without notice. Änderungen vorbehalten.	of
A3	1:2			1
			Revision	A